

liberty[®]
mains free features

Lion wall feature

Beautiful, instant,
mains free feature
powered by a
revolutionary,
rechargeable,
Lithium battery



Liberty Mains Free Features have been designed by Blagdon, a leading British water gardening company. Over half a century in fish keeping and water gardening are brought together in this product, so you can be assured of a successful, creative water feature.



Lion wall feature

Congratulations on buying a Liberty Mains Free Lion Wall Feature.

This product has been designed to enhance your garden with the sight and sound of moving water.

IMPORTANT

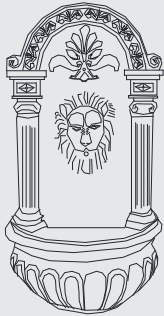
Please attach proof of purchase to this manual and file in a safe place.

CONTENTS

Getting to know your Liberty Water Feature	2
Technical Specification	2
Spare Parts	2
Step by Step Guide	3 - 4
Solar Panel Upgrade	5
Liberty Water Feature Care Instructions	5
Safety Warnings for Lithium Ion Cells and Batteries	6
Important Information	7
Consumer Advice Contact Details	7
Guarantee	7
Battery Information and Disposal	7

GETTING TO KNOW YOUR LIBERTY WATER FEATURE

THIS KIT INCLUDES:



① Fountain Body



② LED Light



③ Pump



④ Control Panel



⑤ Battery



⑥ USB Charger Cable



⑦ Battery Charger

Technical data

- DC 5 ~ 8.4 Volt Low Voltage
- 1.25 Watts
- 180 ltr/hr (48gal/hr)
- 1.25m (4'1") max head
- 60cm low voltage cable for pump
- 60cm low voltage cable for LED light
- 30cm low voltage USB cable for charger
- CE approved pump IP68
- IP44 for control panel

Pack dimensions

89cm (H) x 46.5cm (W) x 32.5cm (D)

Feature dimensions

76cm (H) x 39cm (W) x 26cm (D)

Volume

7.0 litres (1.5 gallons)

Lion Wall Feature Includes

Part No.	Description	Qty	Spare Code
1	Fountain Body	1	N/A
2	LED Light	1	N/A
3	Pump	1	1052627
4	Control Panel	1	N/A
5	Battery	1	1054621
6	USB Charger Cable	1	1054638
7	Battery Charger	1	1054638
8	Set Up Guide	1	N/A

STEP BY STEP GUIDE

Step 1

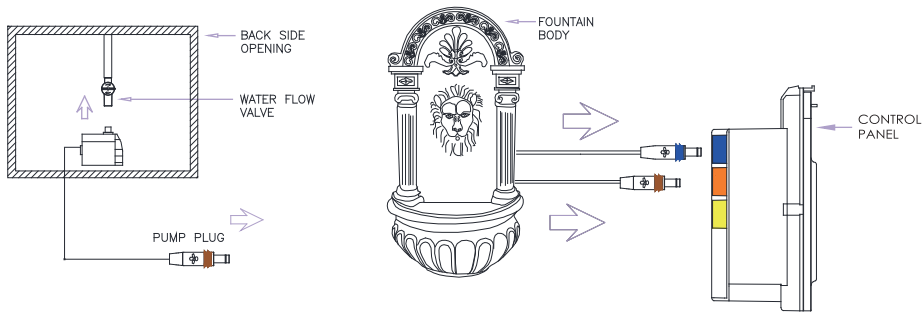
Identify a suitable area where your water feature can be placed. Make sure to use a strong fixing screw /hook and raw plug (not supplied) for hanging your water feature on and use the rear indent on the back panel of the water Feature to hang it into place once steps 3 and 4 are completed.

Step 2

Carefully remove components from the box, lay them on a flat surface. The power set is not pre-connected, this is a straight forward process and all connections are colour coded for easy use, please see step 3 and step 4 for further details.

Step 3

Locate the hose from the opening at the back of the feature body, you should find the water flow valve preassembled in the end of hose, connect the pump to the water flow valve. Feed the pump cable up and through the side of the feature and into the access panel located on the left hand side of the feature. Slide the LED light ring onto the post located in the features reservoir, now feed the cable up and through the side of the feature and into the access panel, ready for connection to control panel (see diagram).

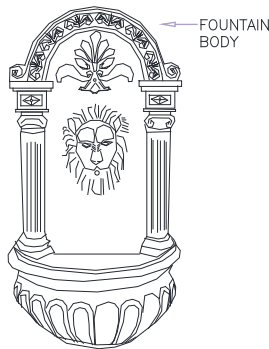


Step 4

Attach the blue plug of the pump into control panel's blue socket (see diagram and pic A). Attach the orange plug of the LED light into control panel's orange socket (see diagram and pic B). Don't forget to close the control panel's yellow port with the rubber socket protector.

The yellow port is used for recharging and connecting to a solar panel which is sold separately (see pic B). Insert the control panel into the side access panel.

Please note there is a small hole beside the access panel. This hole will be used to feed the solar panel cable through to connect with control panel when you upgrade to a solar panel.



STEP BY STEP GUIDE

Step 5

Place the feature in your chosen location and fill the features reservoir with water, making sure the pump is fully submerged. The recommended amount of water is 7.0 litres (1.5 gallons).

Step 6

Twist the locking nut on the dark green door on the front of the control panel. Insert the yellow lithium battery and close the door, twist the locking nut to ensure no moisture can get to the battery.

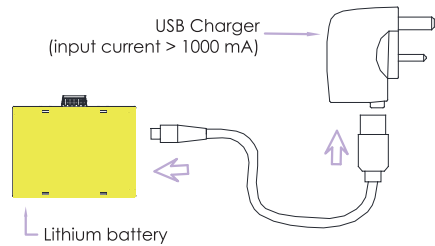


The feature is now ready for use and is designed to turn on/off with the manual button or the built in timer functions for 2/3/4 hour intervals can be used.

Step 7

The battery comes with a small pre-charge power for immediate use. For best results, it is advised to charge the battery fully before using it for the first time.

In order to charge the battery to full power, you can use the provided USB charger and cable with micro USB connector to charge the battery in the home. A Red indicator light will illuminate while the battery is charging. When the battery has full power, the indicator light will turn Green. Charging the battery will take approximately 5 hours.



Step 8

Using the control panel

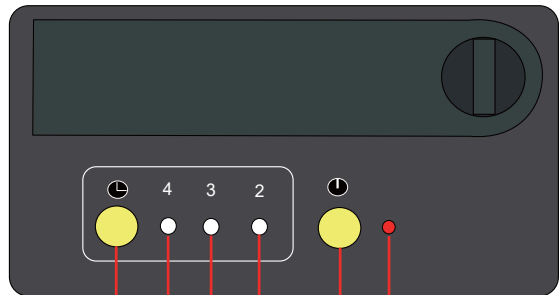
Timer function modes (A,B):

Press the timer function mode switch (A) to select the desired time, press this switch repeatedly to select the required time 2, 3 or 4 hours (B). The indicator light on the timer function modes will illuminate blue on the selected time (B). The timer mode will now come on every day at the same time for the same length of time. For example: If you require the feature to come on every day at 5pm for 2 hours you will need to press the timer function mode switch (A) on at 5pm and until the blue indicator light is lit under the number 2 (B). The feature will now come on every day at 5pm for 2 hours. This process can be repeated for the 3 and 4 hour settings.

Continual use or Sun only mode (C):

Press the on/off switch (C)
The power indicator light will illuminate to show that the feature has been switched on (D). The feature will now run continuously until the battery runs out of power.

If the optional solar panel upgrade has been installed the feature will run continuously all the time the panel receives energy from the sun and the battery still has charge. The solar panel will run and re-charge your feature for you, reducing the need to manually re-charge your battery.



A. Timer function mode switch

B. Timer function modes: 4/3/2 hours settings. Light will turn blue to indicate selected setting when function mode switch is pressed

C. ON/OFF switch for continual use without timer function. This will run the feature until the battery power runs out.

D. Power indicator light

If the solar panel upgrade is used this will charge the battery and work all the time the panel receives energy from the sun or the battery still contains charge, reducing the need to manually re-charge the battery

SOLAR PANEL UPGRADE (sold separately)

5 watt solar panel

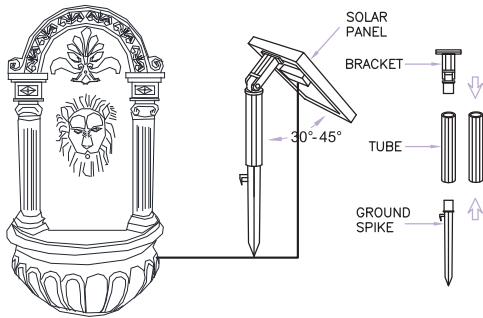
Unique solar 'run & recharge' upgrade for your Liberty Water Feature

High power, eco solar panel

- Runs the feature whilst also charging the battery
- Fast transfer of energy from solar to charge the battery
- Continuous battery charging, even when on stand-by
- Flexible solar panel location, 16' cable supplied
- Includes mounting bracket and ground spike

Solar Panel Positioning

Position the solar panel to face South as much as possible to make the most of the daylight hours. It's important to angle the solar panel itself in between 30° to 45° against the vertical ground spike (see diagram). Ensure the solar panel is not shaded by trees, shrubs or buildings.



Ask in store for details or visit
www.libertyfeatures.co.uk

CARE INSTRUCTIONS



Liberty Water Feature Care Instructions:

- If pump starts to lose power, recharge battery.
- If the feature becomes dusty or dirty, clean with a dry cloth. Do not use detergent as it may discolour the product.
- Remove battery before storing.
- Store in a cool and dry location.
- During winter, we recommend that you remove the battery, empty out all water and store your fountain and all components.



We recommend using Blagdon water feature treatments to maintain a clean healthy water feature. Ask in store for details.

SAFETY WARNINGS FOR LITHIUM ION CELLS & BATTERIES

WHEN USING THE BATTERY

1. Lithium Ion Cells and Batteries may get hot, explode or ignite and cause serious injury if they are exposed to abusive conditions. Be sure to follow the safety warnings listed below:
 - Do not place the battery on or near heat.
 - Do not install the battery backwards so the polarity is reversed.
 - Do not connect the positive terminal and negative terminal or/and the battery to each other with any metal object such as wire.
 - Do not carry or store battery together with necklaces, hair pins or other metal objects.
 - Do not step on the battery, pierce with a nail or smash with a hammer.
 - Do not expose the battery to water, salt water or allow the battery to get wet.
2. Do not disassemble or modify the battery. The battery contains safety and protection devices which may cause the battery to generate heat, explode or ignite if damaged.
3. Do not place the battery in or near fire, on stoves or other high temperature locations. Do not place the battery in direct sunlight or use/store the battery inside cars during hot weather. Doing so may cause the battery to generate heat, explode or ignite.
4. It is not advised for children to handle the battery. Keep the battery out of children's sight when using or charging.
5. When the battery is worn out, wrap the terminals with adhesive tape or similar materials before disposal.
6. Immediately discontinue use of the battery if there is an unusual smell, a change of colour or shape, or if it appears abnormal in any other way.
7. Do not place the battery in microwave ovens, high-pressure containers or on cookware facilities.
In the event of the battery leaking and the fluid gets into your eye, do not rub the eye. Rinse well with water and immediately seek medical advice. If left untreated, the battery fluid could cause serious injury to the eye.

WHEN CHARGING THE BATTERY

Be sure to follow the warnings listed below while charging the battery. Failure to do so may cause the battery to become hot, explode or ignite and cause serious injury.

- When charging the battery, ONLY use a provided battery charger.
- Do not attach the battery to a power supply plug or directly to a car's cigarette lighter
- Do not place the battery in, on or near fire or in direct sunlight. Heating the battery can damage the safety circuit which can cause additional heating, rupture or ignition of the battery.

The temperature range over which the battery can be charged is 0°C to 45°C. Charging the battery at temperatures outside this range may cause severe damage to the battery or reduce battery life expectancy.

WHEN DISCHARGING THE BATTERY

Do not discharge the battery using any device except for the specified device. When the battery is used in devices other than the specified device, it may damage the battery or reduce its life expectancy. If the device causes an abnormal current of flow, it may cause the battery to become hot, explode, ignite and cause serious injury.

The temperature range over which the battery can be discharged is 0°C to 60°C. Use of the battery outside this temperature range may damage performance of the battery or may reduce its life expectancy.

IMPORTANT INFORMATION

Leaving the feature to run dry will damage the pump and make it unable to operate. Ensure the feature is full of water at all time when in operation, if desired the feature can be turned off while not required. The feature may need topping up more regularly in hot weather.

Consumer advice contact details

Interpet (Blagdon) Consumer Advice Department, Vincent Lane, Dorking, Surrey RH4 3YX

Fax: 01306 876712 **E-mail:** customercare@interpet.co.uk

GUARANTEE

This product is guaranteed against defects in material and workmanship for 3 years from the date of purchase, under normal usage.

The guarantee DOES NOT APPLY in case of improper use, negligence, and lack of maintenance or accidental damage either to the pump or the impellor or impellor shaft.

If the feature itself or the pump fails due to a manufacturing fault within this period it will be either repaired or replaced free of charge. Liability is limited to replacement of the faulty product only; no other costs will be reimbursed.

This guarantee is not transferable and does not affect your statutory rights. This guarantee does not confer any rights other than those expressly set above. Excludes the impellor, which may require replacing annually. If any parts need replacing, spares are available from your retailer.



Environment Friendly Disposal

You can help protect the environment! Please remember to respect the local regulations and hand in any non-working electrical equipment to an appropriate waste disposal centre.

CE RoHS

Battery Information and Disposal:

- Lithium Ion battery is not replaceable. It is rechargeable.
- Do not dispose batteries in fire.
- For best results, do not mix old and new batteries; do not mix alkaline, standard (carbon-zinc) or rechargeable (nickel-cadmium) batteries.
- Install only new batteries of the same type in your product.
- Failure to insert batteries in the correct polarity, as indicated in the battery compartment, may shorten the life of the batteries or cause batteries to leak.
- Improper handling/disposal of batteries may cause batteries to explode or leak.
- Batteries should be recycled or disposed of as per your local guidelines

Product Description: Liberty Lion Wall Feature **Product Code:** 1052894

Interpet Ltd. Vincent Lane, Dorking, Surrey RH4 3YX, England **www.libertyfeatures.co.uk**



Liberty Mains Free Features have been designed by Blagdon, a leading British water gardening company. Over half a century in fish keeping and water gardening are brought together in this product, so you can be assured of a successful, creative water feature.