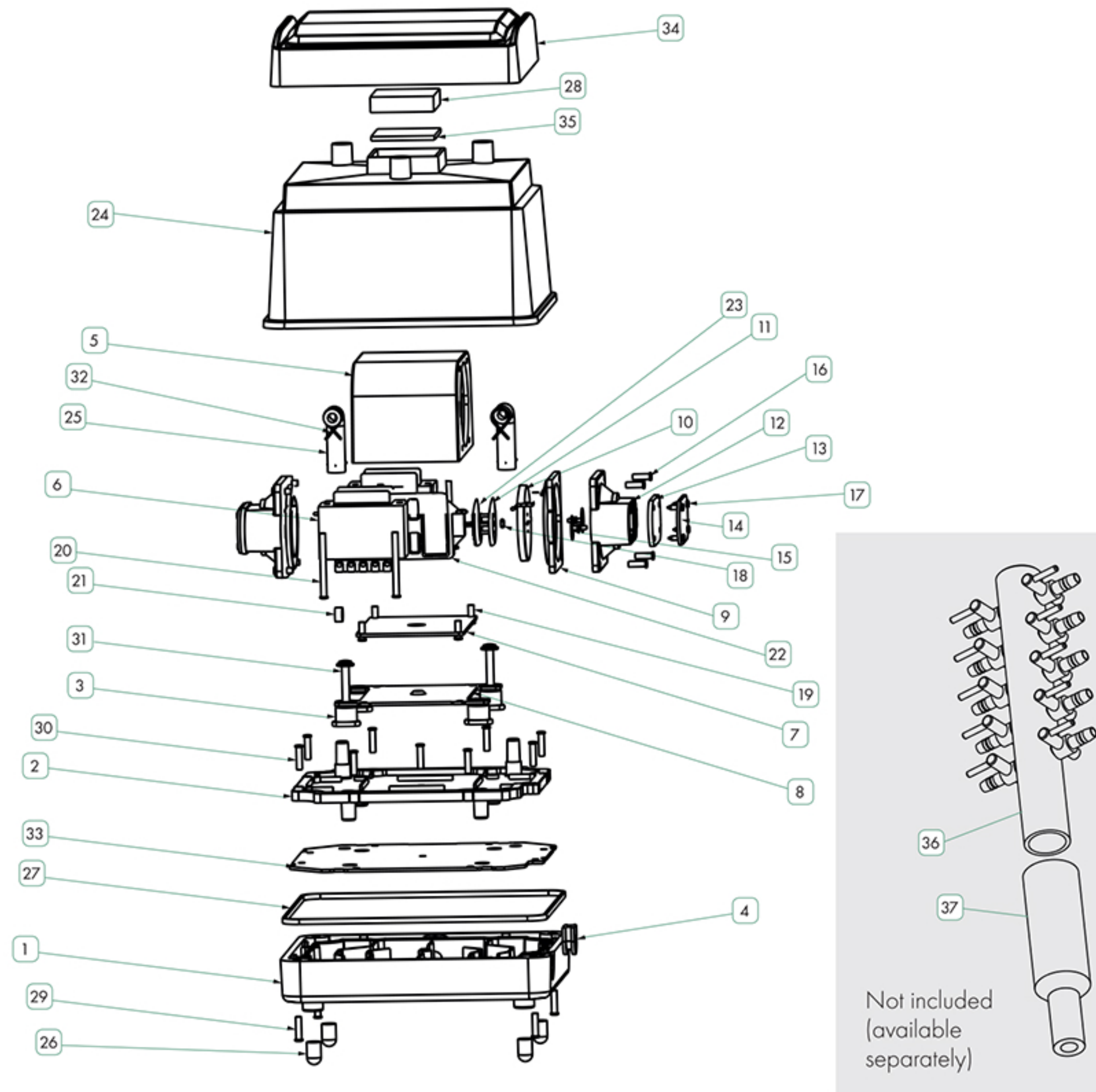


GETTING TO KNOW YOUR POND OXYGENATOR

Pond Oxygenator Single Parts Diagram:



Pond Oxygenator model	Cable length	Power supply required	Wattage	Maximum air flow	Maximum pumping depth	Maximum pressure	Number of air outlets
1800	5m (16'4")	230v/ 50Hz	16 Watts	1800 L/H	2.2m (7'2")	0.022MPa	6
2400	5m (16'4")	230v/ 50Hz	20 Watts	2400 L/H	3m (9'10")	0.028MPa	10
3600	5m (16'4")	230v/ 50Hz	32 Watts	3600 L/H	3m (9'10")	0.030MPa	20