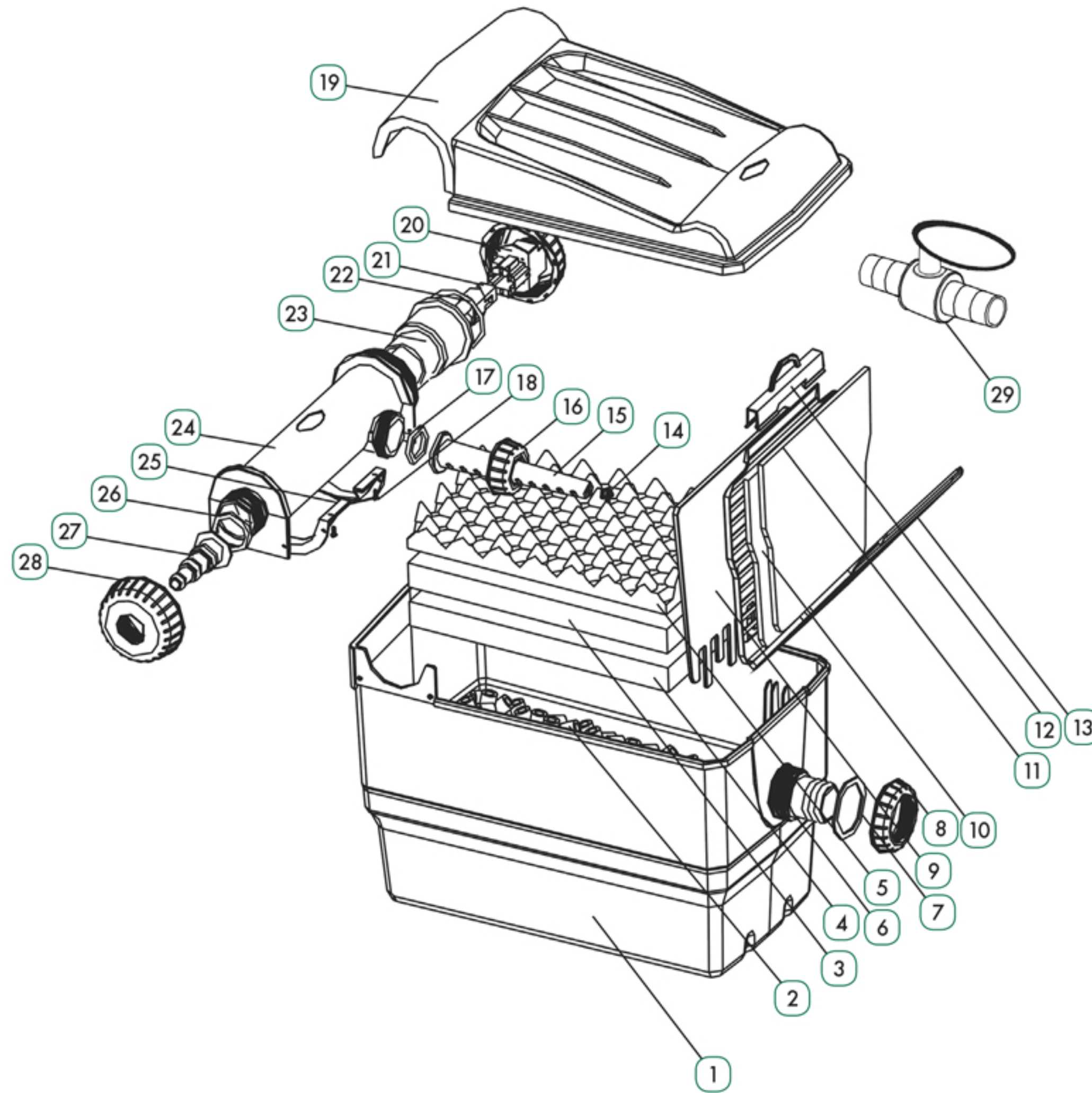


GETTING TO KNOW YOUR MINIPOND FILTER



Part Description	Spare Code
1 Filter body	1040570
2 Ceramic biomedica	1040587
3 Medium grade foam pad	1040594
4 Fine grade foam pad	
5 Coarse grade foam pad	1040600
6 1 1/2" outlet hose tail	
7 Outlet O ring gasket	1010887
8 Outlet nut	
9 Filter partition divider	1010894
10 Polymer wool pad	
11 Carbon foam pad (2 wool & 2 carbon)	
(6 wool & 6 carbon)	

Part Description	Spare Code
12 Cartridge clip	1040617
13 Filter pad cartridge	
14 Spray bar cap	1040624
15 Spray bar	
16 spray bar nut	1040631
17 Spray bar O ring gasket	
18 UVC feet/hinge locating screws	1040648
19 Filter lid	1040648
20 UVC electronics & cap	
21 9w bulb (9W)	1040655
22 UVC O ring gasket	1040723

Part Description	Spare Code
23 Quartz sleeve 9w/5w	1040730
24 UVC contact chamber	1040662
25 UVC feet/hinge	1040679
26 Inlet hose tail O ring gasket	1040686
27 Inlet 1" 3/4" 1/2" hosetial	1040693
28 Inlet cap	
29 Optional 1" 25mm flow control valve (not included)	1040563