

Please attach proof of purchase to this manual and file in a safe place.

IMPORTANT

Please read carefully the following instructions, which will enable you to get the best from your feature pump. Feature pumps are high quality pumps designed with advanced technology to run a wide variety of water features. The compact powerful motors are easy to maintain with a single moving part impeller system.

Congratulations on buying a Blagdon Feature Pump for Water Features.

feature pump 275I/550I/550/570



feature pump 275I/550I/550/570

Blagdon Water Gardening

www.blagdonwatergardening.co.uk

TECHNICAL DATA

- 230 Volt • 50Hz
- 4 Watts
- 275 ltr/hr (60 gal/hr)
- max flow 50cm (1'7")
- max pumping height 3m of cable
- 3 pin plug fitted
- IP68 CE Approved

FLOW CHART

3. GETTING TO KNOW YOUR PUMP

TECHNICAL DATA

- 230 Volt • 50Hz
- 7 Watts
- 550 ltr/hr (121 gal/hr)
- max flow 1.63m (4'3")
- max pumping height 10m of cable
- 3 pin plug fitted
- IP68 CE Approved

FLOW CHART

3. GETTING TO KNOW YOUR PUMP

TECHNICAL DATA

- 230 Volt • 50Hz
- 7 Watts
- 570 ltr/hr (125 gal/hr)
- max flow 1.0m (3'3")
- max pumping height 10m of cable
- 3 pin plug fitted
- IP68 CE Approved

FLOW CHART

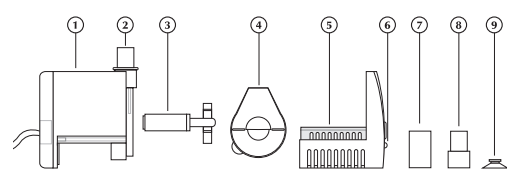
3. GETTING TO KNOW YOUR FEATURE PUMP

1. CONTENTS

- Getting to know your pump 2
- Parts descriptions/spares codes - with exploded diagram 2
- Technical specifications 3
- Pump performance flow / chart 3
- Installation 4
- Electrical Installation 4
- Pump connection and adjustment 4
- Maintenance and cleaning 5
- Cleaning 5
- Routine maintenance 5
- Winter storage 5
- Troubleshooting 6
- Faults and problems procedure 6
- Guarantee 7

2. GETTING TO KNOW YOUR PUMP

Getting to know your feature pump 275 Indoor / 550 Indoor / 550, 570 for water features



No.	Part Description	Code
1.	Pump motor	N/A
2.	Pump outlet	N/A
3.	Impeller complete	275I: 1041416 550I, 550, 570: 1041454
4.	Impeller cover	N/A
5.	Pre-filter cover	N/A
6.	Flow adjuster	N/A
7.	1/2" hose fitting	N/A
8.	3/8" hose fitting	N/A
9.	Rubber sucker	N/A

Established over 50 years ago, Blagdon are committed to producing a comprehensive range of high quality and easy to use water gardening equipment. We have an on-going programme of research and development that ensures excellent product performance and value for money for our customers. Our products are brought together with half a century of expertise and knowledge so you can be assured of a successful and creative water garden.

Leaflet Code: 07/02/2022

4. INSTALLATION

Electrical installation

The power supply must meet the specifications on the product.

Outdoor model

The pump is intended to be used with either a weather-proof cable connector or permanently connected to the fixed wiring in the main system other than by means of a plug and socket.

The cores in the supply cable are coloured in accordance with the following code: **Brown = Live, Blue = Neutral, Green/Yellow = Earth.**

The electric cable is permanently connected and sealed in the motor body. If the supply cable is damaged the pump must not be used.

Do not use the supply cable to lift the pump as this may cause damage.



WARNING - THIS PUMP MUST BE EARTHED
A Residual Current Device (RCD), also known as the Residual Current Circuit Breaker (RCCB), with a tripping current not exceeding 30mA must be installed in the supply circuit. A means of disconnection from the supply having a contact separation of at least 3mm in all poles must be incorporated in the fixed wiring.

For permanent installations to the mains supply, it is necessary to conform to the regulations of the local electricity authority and this would include the use of a metal or plastic conduit to protect the cable.

Attention has been drawn to the fact that special rules may exist concerning the installation of your pump (i.e. local building regulations).

Always disconnect the mains electricity supply whilst the equipment is being installed, repaired, maintained or handled. Consult a qualified electrician if in any doubt about wiring this product to the main supply.



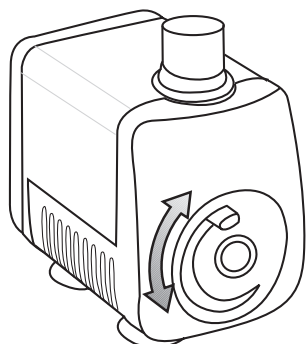
Warning - The Minipond feature pump is provided with a thermal cut out that temporarily switches off the pump in case of overheating and the pump may automatically restart.

Locating your feature pump

The feature pump should be located on a firm and level base in the pond / water feature. The pump should be covered with water at all times. Make sure that there is ample cable from the mains supply. Place the pump in the desired location, attach the hose connector that is suited to your water feature.

Tip: The larger 1/2" hose fitting will give maximum performance when fitted to the pump.

The flow control can now be adjusted, see adjusting flow control diagram.



Slide control valve to adjust flow

5. MAINTENANCE & CLEANING



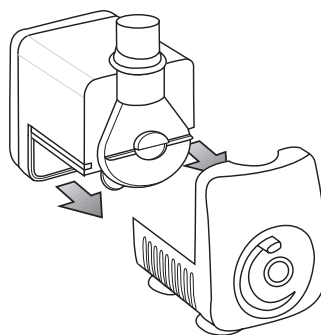
WARNING - Failure to carry out routine maintenance leaving the pump under reduced or no flow conditions (i.e. run dry or blocked pre-filter) will result in a shorter pump life and may invalidate the guarantee.

Routine maintenance

1. Switch off electricity.
2. Remove the pump from the feature.
3. Follow steps 1, 2 and 3.

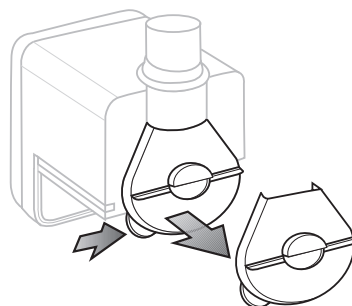
Step 1

Firmly pull the filter cage from the motor. Wash thoroughly in fresh water.



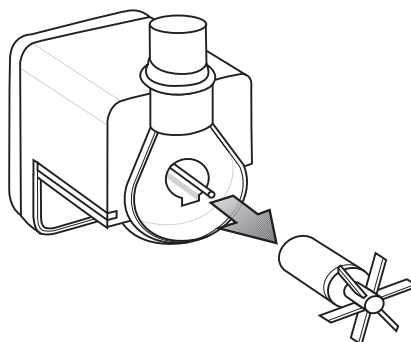
Step 2

Push tab to remove impeller cover.



Step 3

Remove impeller from the pump motor. Wash thoroughly in fresh water.



5. MAINTENANCE & CLEANING

Annual Maintenance

Disassemble pump and examine all parts for wear or damage, replacing any parts that show obvious wear and/or damage. (See getting to know your pump for parts/description and replacement parts codes.) Particular care should be taken to examine the cable entry point and the cable; if there is any sign of damage the pump should be discarded.

Winter Storage

The pump can be run in the pond or feature during the winter but care should be taken to ensure that it is fully immersed and cannot freeze solid. If the pump is not used during the winter, follow annual maintenance procedure and store frost-free in the house or garage until spring.

6. TROUBLESHOOTING

Low flow from the pump

1. Ensure that the pump is fully submersed, and not sucking air due to lack of water in your feature.
2. Follow routine maintenance.
3. Ensure that the pipe work is not blocked, leaking or is laid so that it gets crushed or kinked.
4. Keep the height that water is to be pumped from the water surface (called head) to a minimum. The higher the head the lower the flow rate and the more wear on the pump.
5. Use the largest diameter, smoothest bore hose over the shortest distance and keep hose fittings to a minimum. This removes frictional loss of flow and so increases pump flow rates.

No flow from the Pump

1. Check that the pump has not run dry due to lack of water.
2. Check power supply is on.
3. Check fuse and wiring (SEE ELECTRICAL INSTALLATION).
4. Follow low flow procedure as above.

6. TROUBLESHOOTING

Faults problems procedure

Before returning your fountain pump to your dealer or contacting our Consumer Advice Department, please carry out the following steps. This will solve most problems quickly and easily.

1. Ensure electrical procedure has been followed fully. Check fuse and any cable connectors/switch boxes.

NOTE: If the pump has overheated the thermal overload will temporarily switch off the pump.

2. (a) Follow routine maintenance and check pump
(b) Follow troubleshooting guide.
(c) Follow annual maintenance guide.

3. Return pump to point of purchase for inspection and advice (you may need proof of purchase).

Please visit www.interpet.co.uk or www.blagdonwatergardening.co.uk for helpful hints, tips, how-to videos and spares

Consumer Advice contact details

Interpet (Blagdon) Consumer Advice Department
Vincent Lane, Dorking, Surrey RH4 3YX
Email: customercare@interpet.co.uk
www.blagdonwatergardening.co.uk

7. GUARANTEE

This product is guaranteed against defects in material and workmanship for 1 year from the date of purchase, under normal usage. The guarantee DOES NOT APPLY in case of improper use, negligence, lack of maintenance or accidental damage to the pump. If the pump fails due to a manufacturing fault within this period it will be either repaired or replaced free of charge. Liability is limited to replacement of the faulty product only; no other costs will be reimbursed. The guarantee is not transferable and does not affect your statutory rights. This guarantee does not confer any rights other than those expressly set out above. Excludes the pump impeller which may require replacing annually. If any parts need replacing, spares are available from your retailer.