



Pond Oxygenator

Single / Twin / Four

www.blagdonwatergardening.co.uk
www.interpetcentral.com



Congratulations on buying a Blagdon Pond Oxygenator air pump. These air pumps have been specifically designed for water gardening applications, where sufficient aeration is an essential part of a successful pond.

BENEFITS OF POND AERATION

Fish and other pond life require oxygen-rich water in order to remain healthy. Filter bacteria, essential to the breakdown of highly toxic ammonia and nitrite, also require oxygen to flourish and keep the pond free from the build up of toxic waste. Use of a Blagdon Pond Oxygenator will increase the level of oxygen in the pond and reduce levels of carbon dioxide, thus aiding in preventing the pond from stagnating, by injecting air into the water. Additionally, by placing the air stones directly into the filter chambers, beneficial filter bacteria will be encouraged to grow. This will improve the efficiency of a pond filter, as well as improve fish health.

Aeration in a pond is especially important during spells of warm weather, when water holds much less oxygen, and at night when plants stop producing oxygen and begin to use it. Fish seen gulping at the surface or swimming lethargically may be showing signs of a lack of oxygen.

In winter, use of an air pump will keep an area of the pond ice-free, preventing the build up of toxic gases which can be fatal to fish and other aquatic life.

Oxygenation, provided by the use of an air pump, is essential when treating fish diseases, as suffering fish require higher levels of oxygen, and many treatments deplete oxygen levels in the water.

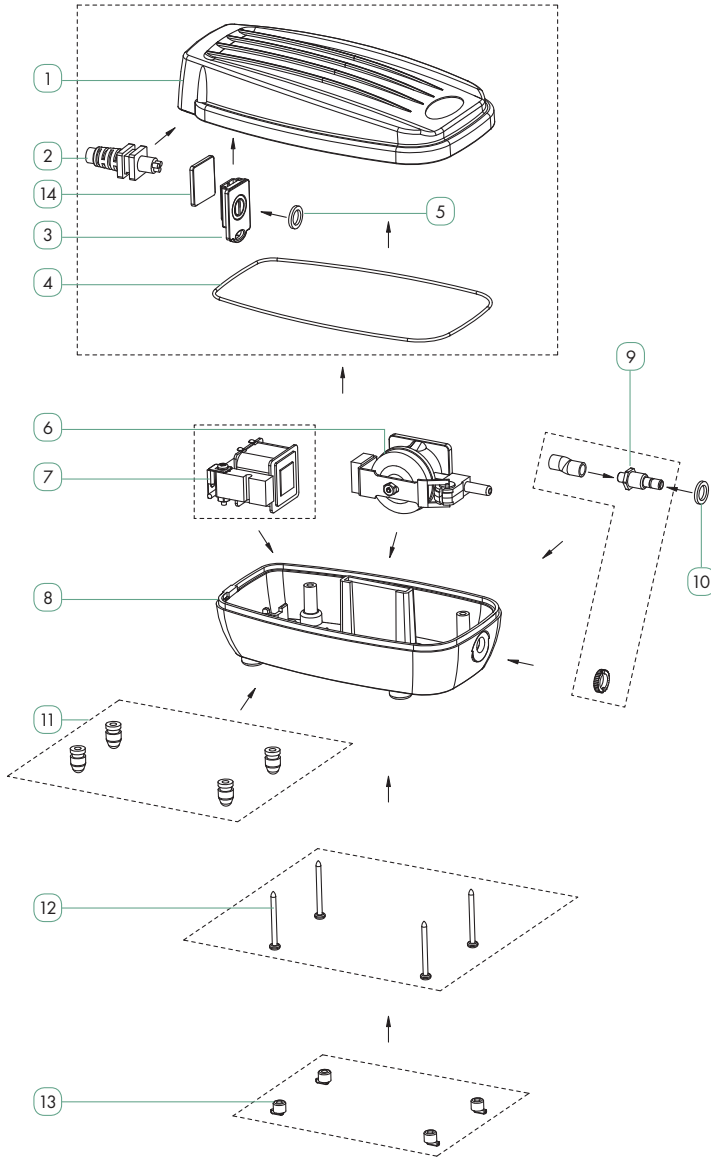
**IMPORTANT: PLEASE ATTACH PROOF OF PURCHASE
TO THIS MANUAL AND FILE IN A SAFE PLACE**

CONTENTS

Getting to know your Pond Oxygenator	2
Parts descriptions / Spares codes / Exploded diagrams / Technical Specification.....	2-7
Installation	8
Electrical installation.....	8
Location.....	9
Connecting air line and air stones.....	9
Maintenance	10
Replacing the intake filter	10
Replacing the Outlet O-Ring.....	10
Replacing the diaphragm/flapper valve Pond Oxygenator Single, Twin & Four.....	11
Troubleshooting	12
Troubleshooting and maximising performance.....	12
Faults/Problems Procedure	13
Consumer advice contact details.....	13
Returning faulty air pumps	13
Guarantee.....	13

GETTING TO KNOW YOUR POND OXYGENATOR

Pond Oxygenator Single Parts Diagram:



GETTING TO KNOW YOUR POND OXYGENATOR

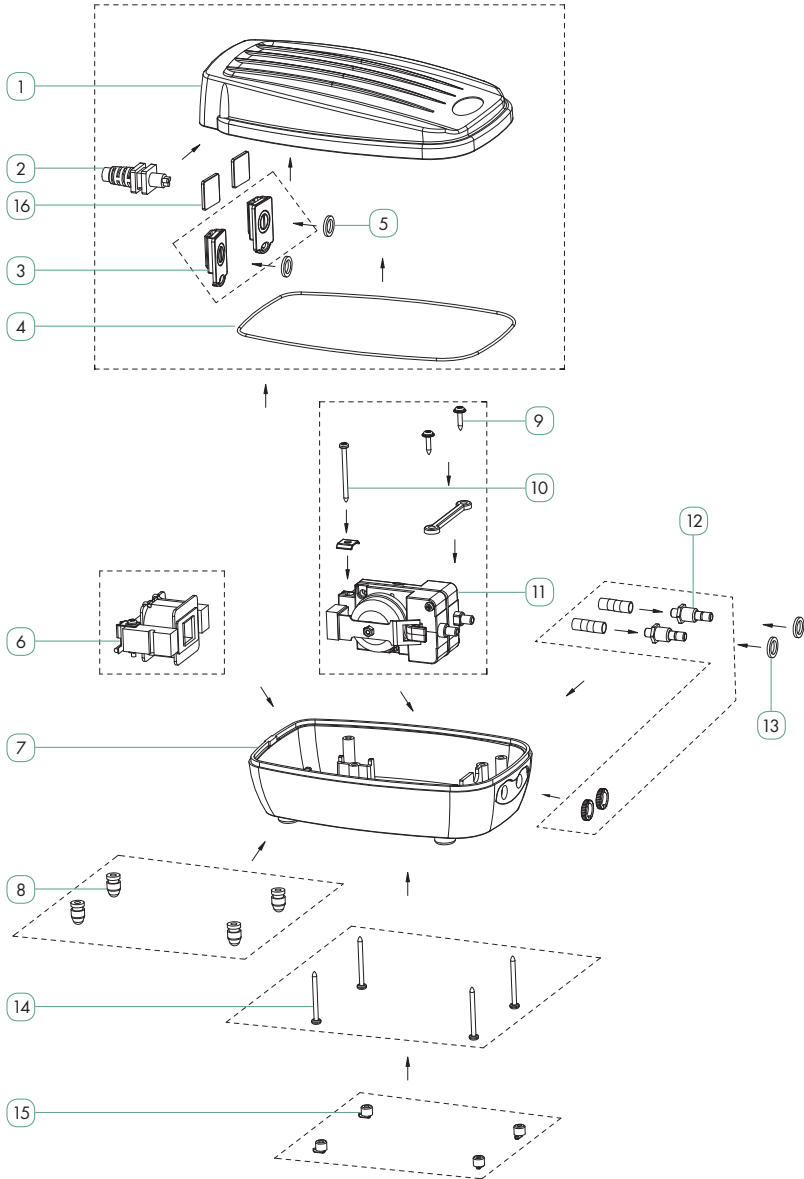
Part No.	Part Description	Spare Code
1	Pond Oxygenator Single Lid	N/A
2	Cable Gland	N/A
3	Air Filter Pad Holder	1055940
4	Pond Oxygenator Single Lid O-ring	1055940
5	Air Filter Pad Holder O-ring	1055940
6	Pond Oxygenator Single Diaphragm & Flapper Valve	1055940
7	Pond Oxygenator Single Motor	N/A
8	Pond Oxygenator Single Base	N/A
9	Pond Oxygenator Outlet	N/A
10	Pond Oxygenator Outlet O-ring	1055940
11	Pond Oxygenator Single Rubber Feet	1055940
12	Pond Oxygenator Single Base Screws	1055940
13	Pond Oxygenator Single Base Screw Caps	1055940
14	Air Filter Pad	1055940

Technical Specification

Pond Oxygenator Model	Single	Twin	Four
Cable length	1.5m	1.5m	1.5m
Power input	230v/50Hz	230v/50Hz	230v/50Hz
Power Consumption (Watts)	3.2	4.2	8.3
Maximum flow (ltr/hr)	140	320	640
Maximum pumping depth in metres (ft/inches)	1.2 (3'11")	1.4 (4'7")	1.6 (5'2")
CE Rating	IPX4	IPX4	IPX4

GETTING TO KNOW YOUR POND OXYGENATOR

Pond Oxygenator Twin Parts Diagram:

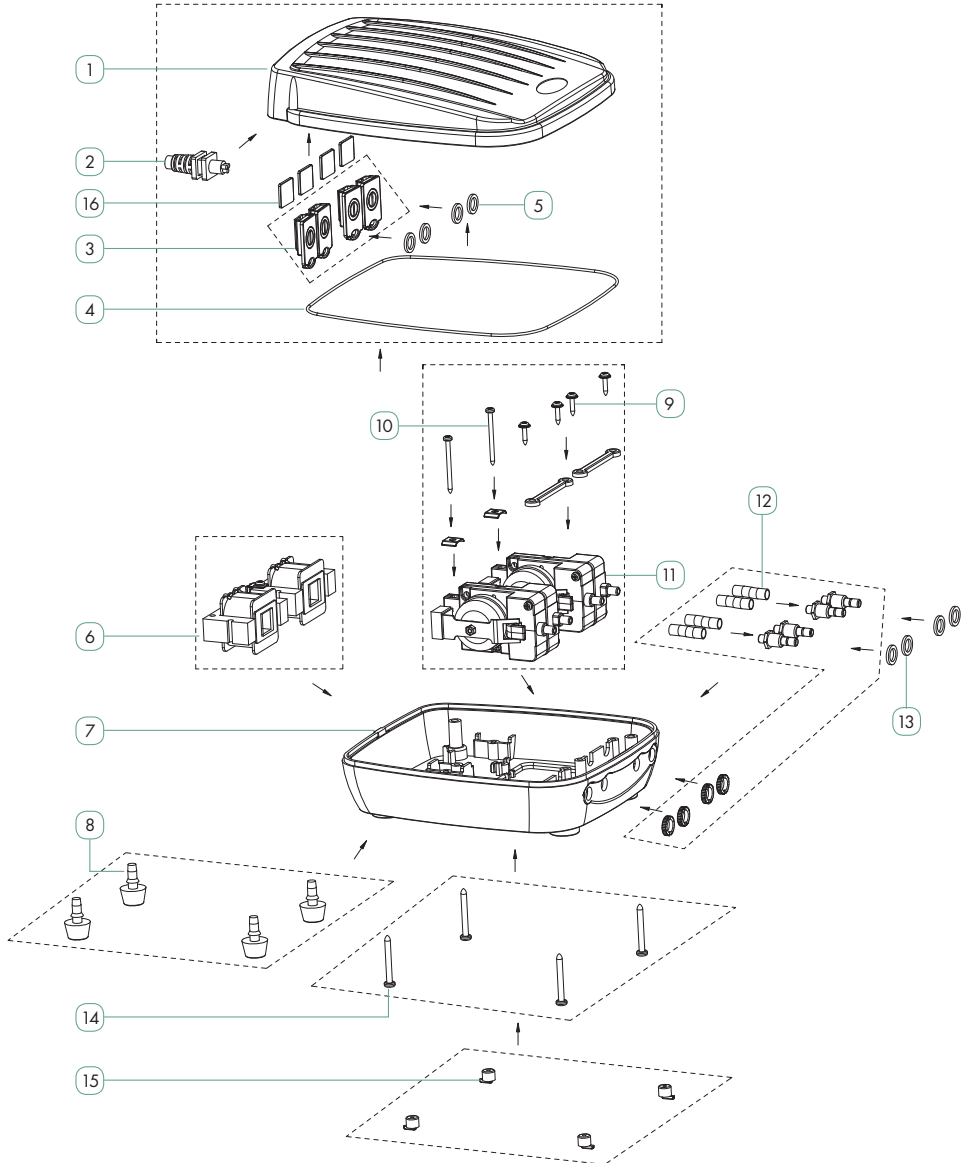


GETTING TO KNOW YOUR POND OXYGENATOR

Part No.	Part Description	Spare Code
1	Pond Oxygenator Twin Lid	N/A
2	Cable Gland	N/A
3	Air Filter Pad Holder	1055941
4	Pond Oxygenator Twin Lid O-ring	1055941
5	Air Filter Pad Holder O-rings	1055941
6	Pond Oxygenator Twin Motor	N/A
7	Pond Oxygenator Twin Base	N/A
8	Pond Oxygenator Twin Rubber Feet	1055941
9	Pond Oxygenator Outlet Bridge & Screws	N/A
10	Pond Oxygenator Twin Diaphragm and Valve Screw & Clamp	N/A
11	Pond Oxygenator Twin Diaphragm and Flapper Valves	1055941
12	Pond Oxygenator Outlet	N/A
13	Pond Oxygenator Outlet O-ring	1055941
14	Pond Oxygenator Twin Base Screws	1055941
15	Pond Oxygenator Twin Base Screw Caps	1055941
16	Air Filter Pads	1055941

GETTING TO KNOW YOUR POND OXYGENATOR

Pond Oxygenator Four Parts Diagram:



GETTING TO KNOW YOUR POND OXYGENATOR

Part No.	Part Description	Spare Code
1	Pond Oxygenator Four Lid	N/A
2	Cable Gland	N/A
3	Air Filter Pad Holder	1055942
4	Pond Oxygenator Four Lid O-ring	1055942
5	Air Filter Pad Holder O-rings	1055942
6	Pond Oxygenator Four Motor	N/A
7	Pond Oxygenator Four Base	N/A
8	Pond Oxygenator Four Rubber Feet	1055942
9	Pond Oxygenator Four Outlet Bridge & Screws	N/A
10	Pond Oxygenator Four Diaphragm and Valve Screw & Clamp	N/A
11	Pond Oxygenator Four Diaphragm and Flapper Valves	1055942
12	Pond Oxygenator Outlet	N/A
13	Pond Oxygenator Outlet O-ring	1055942
14	Pond Oxygenator Four Base Screws	1055942
15	Pond Oxygenator Four Base Screw Caps	1055942
16	Air Filter Pads	1055942

INSTALLATION

Electrical installation



The power supply must meet the specifications on the product.

The air pump is designed to be used with either a weather-proof cable connector or connected to the mains by means of a plug and socket.

The cores in the supply cable are coloured in accordance with the following code:

Brown = Live, Blue = Neutral, Green/Yellow = Earth

The electrical cable is permanently connected inside the air pump body.

If the supply cable is damaged the air pump must not be used.

Do not use the supply cable to lift the air pump, as this may cause damage.



WARNING - A Residual Current Device (RCD), also known as the Residual Current Circuit Breaker (RCCB), with a tripping current not exceeding 30mA must be installed in the supply circuit. A means of disconnection from the supply having a contact separation of at least 3mm in all poles must be incorporated in the fixed wiring.

For permanent installations to the mains supply, it is necessary to conform to the regulations of the local electricity authority and this would include the use of a metal or plastic conduit to protect the cable.

Attention has been drawn to the fact that the special rules may exist concerning the installation of your pond air pump (i.e. local building regulations). These air pumps must not be used in swimming pools, or areas where people are in contact with the water.

Always disconnect and isolate the product from the mains electricity supply whilst the equipment is being installed, repaired, maintained or handled. Consult a qualified electrician if you are in any doubt about wiring this product to the mains supply.



WARNING - The air pumps must not be submerged in the pond, they are for external installation only.

This appliance can be used by children aged from 8 years and above and persons with reduced physical, sensory or mental capabilities or lack of experience and knowledge if they have been given supervision or instruction concerning use of the appliance in a safe way and understand the hazards involved.

Children shall not play with the appliance. Cleaning and user maintenance shall not be made by children without supervision.

INSTALLATION

Location

The Pond Oxygenator Pumps have been designed to be weather-proof, so they are able to be installed in most locations around the garden, or in a shed or garage, close to your chosen power supply. Ensure that the air pump is installed above the pond water level to avoid back siphoning of pond water into the air pump in the event of a mains power failure. Alternatively, if the air pump can only be installed below the pond level install Aqua Air Check Valves into each piece of air line. The air pump should be located on a firm surface which will not vibrate and act as a sounding board, a concrete floor or paving slab would be ideal.

Position the air pump in a clean and dust free environment. Excessive dirt will block the air filters, reducing the air pumps performance and increase the speed of wear on replaceable parts.

IMPORTANT - The air pump must be stood the correct way up - with all four rubber feet touching the surface on which it is installed. This will ensure the maximum protection from adverse weather conditions. Water ingress will cause damage, and void the warranty.

Connecting the air line and air stones

Your Pond Oxygenator has been designed to run continuously and ideally unrestricted. This will maintain maximum performance and the best possible life span for all replaceable parts e.g. diaphragms and flapper valves.

Ideally all outlets should have an air line and air stone connected, this will give your pond maximum aeration and ensure that damaging back pressure is kept to a minimum. Over time, air stones will become blocked leading to a reduction in air pump performance, therefore it is advised to replace the air stones every twelve months as a minimum, or more frequently depending on the cleanliness of the air pumps environment.

Attach one end of the air line to the metal outlet on the Pond Oxygenator, attach the air stone to the other end of the air line. Then simply place the air stone into your pond or filter, and turn on the air pump.

The air stones should be positioned to provide maximum aeration and circulation in the pond. (Note: for use in winter, the air stones should be placed no lower than 30cm from the bottom of the pond, this will ensure the warmer lower water regions remain undisturbed.)

MAINTENANCE

IMPORTANT - The power supply to the air pump must be turned off before any maintenance is performed.

Replacing the air intake filter (all sizes)

- 1 Slide out Air filter Pad Holder (part 3) from the rear section of the air pump.
- 2 Remove the felt pad inside the holder.
- 3 Insert new, clean felt pad.
- 4 Reinsert Air Filter Pad Holder in the rear section of the air pump.

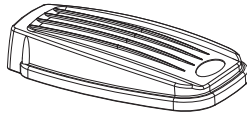
Replacing the outlet O-ring (all sizes)

- 1 Remove base screw rubber caps, and unscrew the base screws.
- 2 Lift off air pump lid.
- 3 Disconnect the air line in between diaphragm/flapper valve and the metal outlet.
- 4 Unscrew outlet lock-nut on the front of the air pump.
- 5 Push the outlet into the air pump for removal.
- 6 Remove the O-ring and replace with new.
- 7 Follow the above steps in reverse to reassemble.

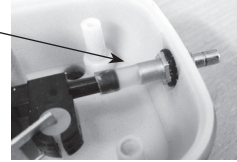
MAINTENANCE

Replacing the Diaphragm & Flapper Valve (Pond Oxygenator Single)

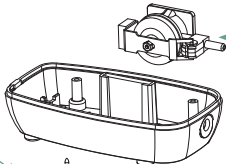
Step Two
Gently
remove lid.



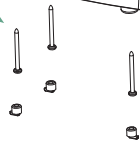
Step Three
Disconnect the air line
between the diaphragm/
flapper valve and the
metal outlet.



Step Four
Remove old diaphragm and flapper valve
assembly - replace with new.



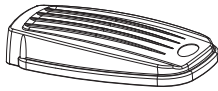
Step One
Remove base
screw rubber caps,
and unscrew the
base screws.



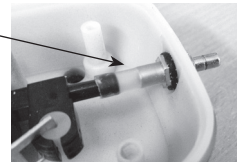
Step Five
Follow steps 1, 2 and 3 in
reverse order to reassemble.

Replacing the Diaphragm & Flapper Valve (Pond Oxygenator Twin and Four)

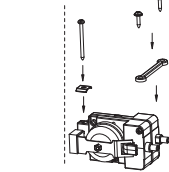
Step Two
Gently
remove lid.



Step Three
Disconnect the air line
between the diaphragm/
flapper valve and the
metal outlet.

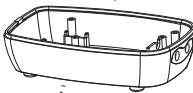


Step Five
Unscrew the
diaphragm and
flapper valve
clamp.

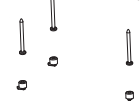


Step Four
Unscrew outlet bridge.

Step Six
Remove old diaphragm and flapper valve
assembly - replace with new.



Step One
Remove rubber
base screw caps
and screws.



Step Seven
Follow steps 1 to 5 in reverse
order to reassemble.

TROUBLESHOOTING

Low air output/noisy operation

- Is the pump on a sounding board, such as a wooden shed floor, if so place the pump on a patio slab, which will reduce the effect, or relocate the pump to a more suitable location.
- Are the air lines and check valve free from obstruction, or is the air line kinked.
- Placing the air stones deeper in the water increases the back pressure, as it works harder to push the air, the noise generated by the air pump will increase.
- Check and replace any blocked air stones.
- Replace blocked or dirty air filter pads.
- Check diaphragm and flapper valve assembly for wear and tear - replace as necessary.

No air output/pump stopped

- Check the power supply is on.
- Check fuses and wiring.
- If the pump has been installed below the pond level, and without check valves, water may have siphoned back into the motor - if this is the case, cease using the pump.
- The flapper valves and diaphragms may have failed - replace as necessary.
- Air filter pads may be severely blocked - replace as necessary.

If none of the above resolves the fault, contact Interpet (Blagdon) Consumer Advice Department (see faults – problem procedure inside back cover)

IMPORTANT

FAULTS - PROBLEMS PROCEDURE

Before returning your Blagdon air pump to your dealer or contacting our Consumer Advice Department, please carry out the following steps. These will solve most problems quickly and easily:

1. Ensure electrical procedure has been followed fully. Check fuses and any cable connectors or switchboxes.
2. Follow the maintenance steps from pages 10-11, follow the troubleshooting options from page 12
3. Return pump to point of purchase for inspection and advice (proof of purchase may be required)

CONSUMER ADVICE CONTACT DETAILS:

Interpet (Blagdon) Consumer Advice Department Vincent Lane, Dorking, Surrey, RH4 3YX
E-mail: customercare@interpet.co.uk

GUARANTEE

This product is guaranteed against defects in material and workmanship for 3 years from the date of purchase, under normal usage. **The guarantee DOES NOT APPLY in case of improper use, negligence, lack of maintenance or accidental damage** either to the pump, controller, or impeller.

If the air pump fails due to a manufacturing fault within this period it will be either repaired or replaced free of charge. Liability is limited to replacement of the faulty product only, no other costs will be reimbursed.

This guarantee is not transferable and does not affect your statutory rights. This guarantee does not confer any rights other than those expressly set out above. Excludes all replaceable parts (diaphragm & flapper valves, air line, air stones, air filter pads and O-rings), which may become worn over time. If any parts need replacing, spares are available from your local retailer.

ENVIRONMENT FRIENDLY DISPOSAL



You can help to protect the environment, please remember to respect local regulations: hand in non-working electrical equipment to an appropriate waste disposal centre.



Established over 50 years ago, Blagdon are committed to producing a comprehensive range of high quality and easy to use water gardening equipment. We have an on-going programme of research and development that ensures excellent product performance and value for money for our customers. Our products are brought together with half a century of expertise and knowledge so you can be assured of a successful and creative water garden.

INNOVATIVE



DESIGN

Interpet, Vincent Lane,
Dorking, Surrey, RH4 3YX

www.interpet.co.uk
www.blagdonwatergardening.co.uk

Leaflet Code: 31/8/17 MB